



Dimensions

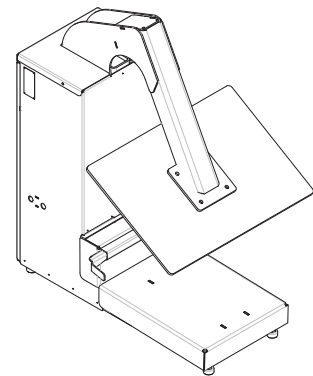
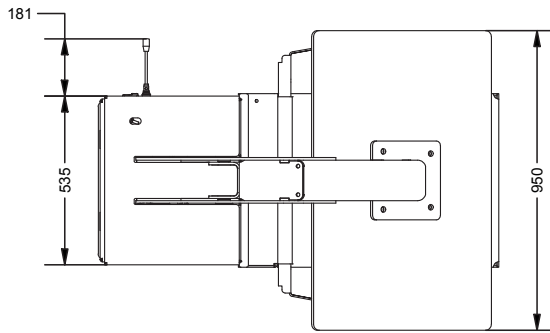
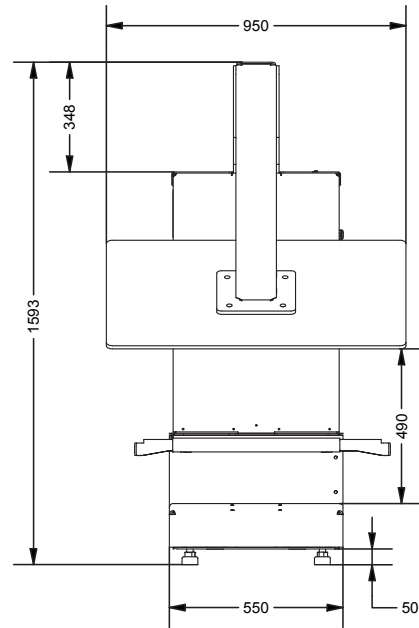
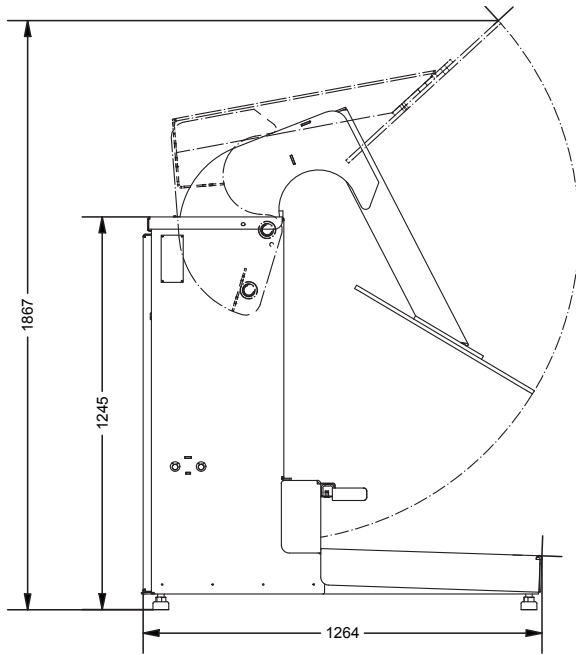
Height	1 867 mm
Width	950 mm
Depth	1 264 mm
Weight	270 kg
Power Supply	240V 1 Phase
Motor	1.5kW 15A
Pressing Force	Up to 3.5T
Noise Level	72 dB
Cycle Times	20 Seconds

Features

- Reduces frequency of daily & weekly waste collections
- A compaction ratio of 3:1 (depending on material used)
- Base lifting plate ensures bin wheels are not damaged during compaction
- Two handed operation makes for a safer working environment
- Adaptor available to compact a 660L bin



Dimensions and technical information without obligation. Subject to change.



Size Comparison



Compaction Ratio
Up to 3:1



Pressing Force
Up to 3.5 Ton



Motor
1.5kW



Waste Types
General Waste

