



Dimensions

Height	2 555mm
Width	2 270mm
Length	6 000mm
Chamber Opening (WxL)	1 505 x 1 250mm
Chamber Volume	2.12m ³
Swept Volume	1.31m ³
Loading height	1 130mm
Motor	5.5kW
Power Supply	415V 3 Phase
Cycle Time	56 seconds
Compaction Force	Up to 33T

[More product info on our website >>](#)

Features

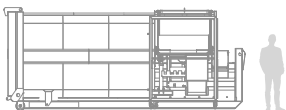
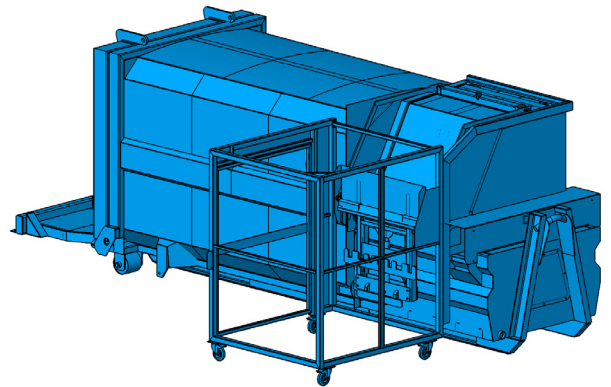
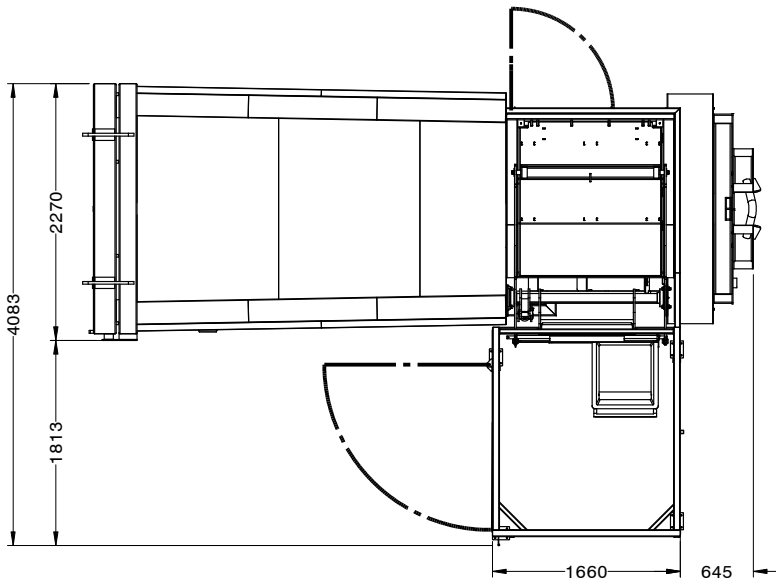
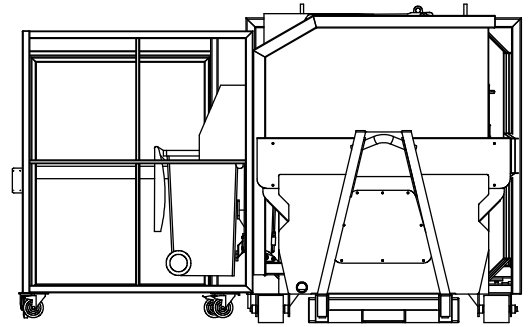
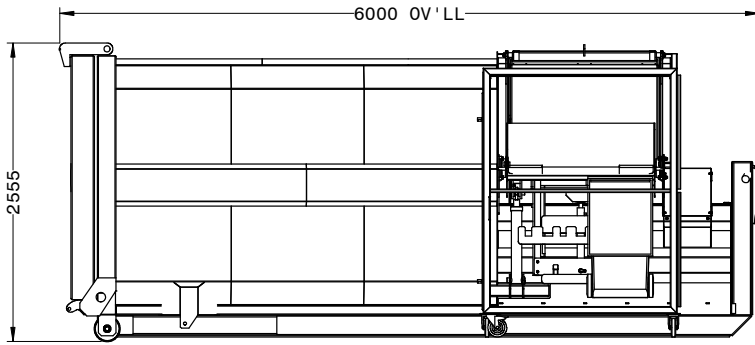
- High compaction force optimising transport payloads
- Suitable for a range of waste material
- Easy & safe to operate
- Robust design & build - engineered for long life and optimum performance
- Hour meter, full signal & 80% full signal included
- Guide rails & container coupling included

Optional Extras

- Custom feed hopper
- Wall chutes
- Infeed conveyor
- Material pre-shredder
- Bin tipper for in-feed



Dimensions and technical information without obligation. Subject to change.



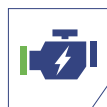
Size Comparison



Compaction Ratio
Up to 6:1



Pressing Force
Up to 33 Ton



Motor
5.5kW



Waste Types
General Waste,
Cardboard, Bulk
Bags, Commingled

