



### Dimensions

Width	2 930 mm
Length	3 750 mm
Approx Weight	7.5 T
Drum Weight	1.5 T
Clearance Height	7 100mm
Rolling Distance	6 600 mm

### Max. Container Size

Power Supply	Diesel
Motor	25.5kW
Cycle Time	Driver-operated
Drum Speed	12 rpm
Driving Speed	6 km/h

[More product info on our website >>](#)

### Features

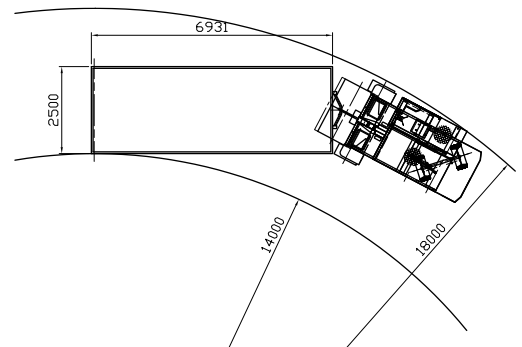
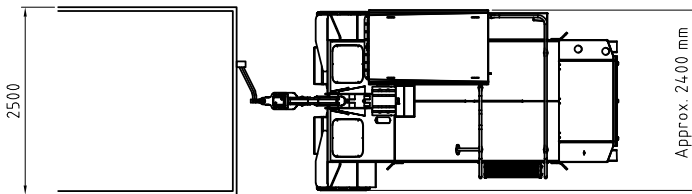
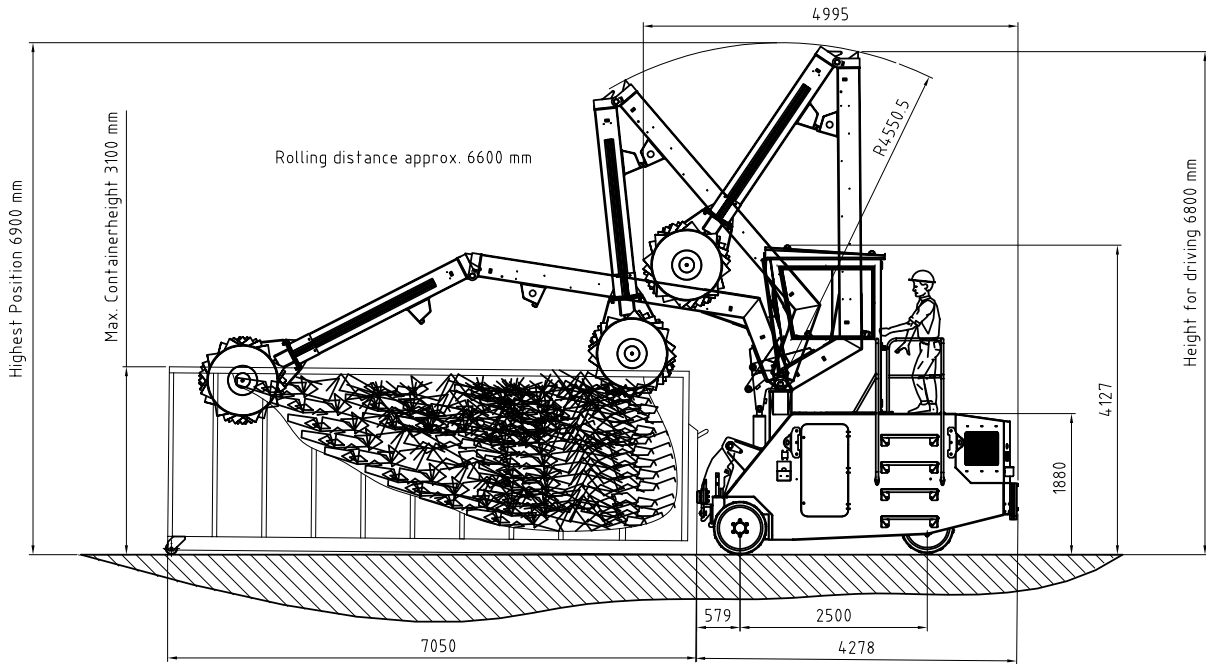
- High compaction force optimising transport payloads
- Suitable for a range of waste material
- Easy & safe to operate
- Robust design & build - engineered for long life and optimum performance

### Optional Extras

- Special-purpose compaction head
- Drum cleaning comb
- Air conditioning
- Bin lifting device for moving skip bins.



Dimensions and technical information without obligation. Subject to change.



Size Comparison



A compaction drum that rolls forward and backward



Approx Weight  
7.5 Ton



Motor  
25.5kW



Weight  
Compaction Roller  
1 200 Kg

