



Dimensions

Height	2 597mm
Width	1 462mm
Depth	1 724mm
Feed Height	1 470mm
Power Supply	415V 3 Phase
Motor	1.5kW + 0.55kW
Drum Rotation Speed	20rpm
Noise Level	55dB
Cycle Time (with auto stop)	Pre-set
Weight	900kg

Loading Aperture Sizes

Height	662 mm
Width	1 052 mm

[More product info on our website >>](#)

Features

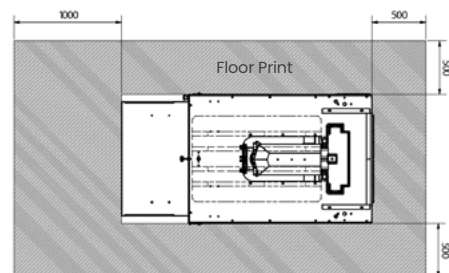
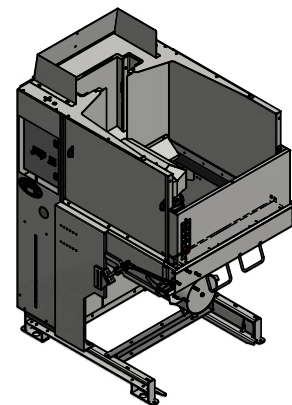
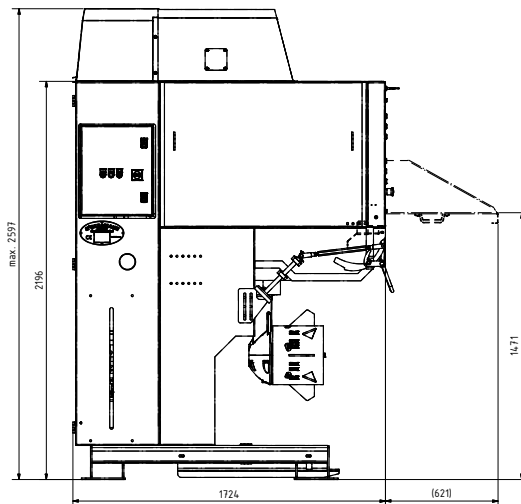
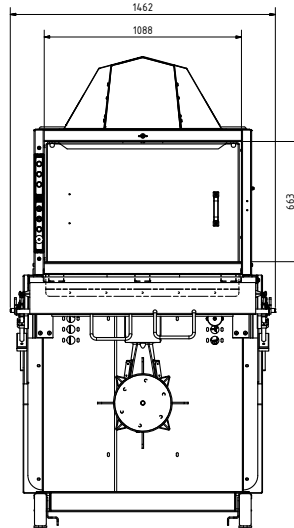
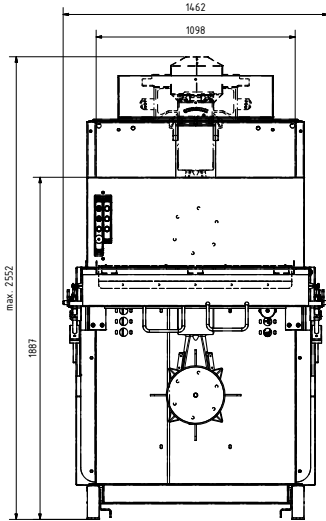
- High compaction force optimising transport payloads
- Suitable for a range of waste material
- Easy & safe to operate
- Robust design & build - engineered for long life and optimum performance

Optional Extras

- Custom feed hopper
- Roof
- Water sprinkler system
- Odour control
- Pull-down chute
- Special-purpose compaction head



Dimensions and technical information without obligation. Subject to change.



Size Comparison



A compaction drum that spins 360°



Compaction Ratio
Up to 10:1



Motor
1.5kW & 0.55kW



Waste Types
Cardboard,
General Waste &
Processed Food

