



## Dimensions

Height	1 911 mm
Width	910 mm
Length	1 892 mm
Number of Cutters	20
Cutter Thickness	20 mm
Motor Power	7.5 kW
Approx Weight	1 500 Kg

## Cutting Chamber

Length	410 mm
Width	470 mm

[More product info on our website >>](#)

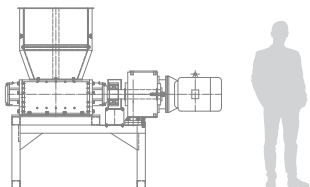
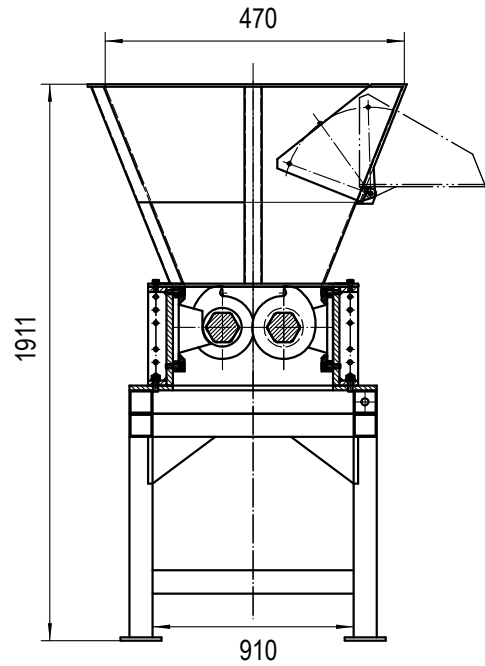
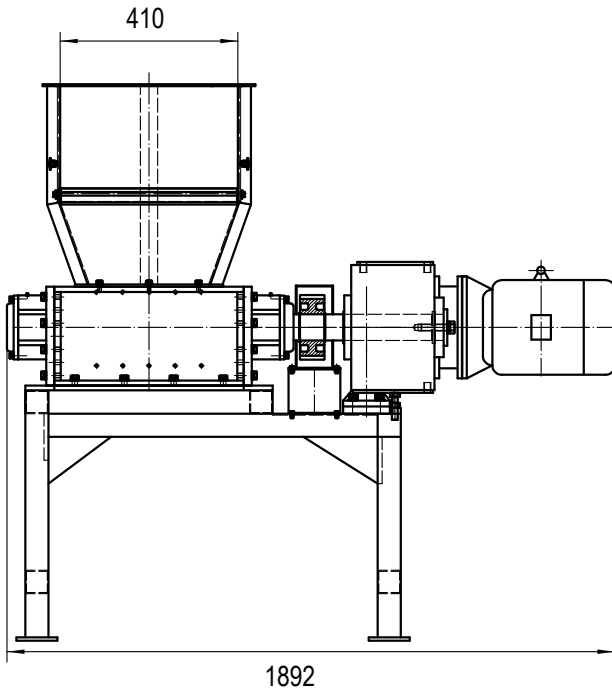
## Features

- Ideal for, E-Waste, Drums, MSW and Product Destruction
- Auto Reverse Protection
- Easy Maintenance
- Reliable & Durable Construction
- Low Speed - Low Maintenance

## Optional Extras

- Additional Force Feeding Ram
- Rotating Material Sizing Screens
- Multiple Blade Variations
- Custom Hopper Designs
- In-Feed and Out Feed Conveyors
- Elevated work and loading platforms

Dimensions and technical information without obligation. Subject to change.



Size Comparison



**Shaft Type**  
2 Shaft Shredder



**Cutters**  
x20 (20 mm thick)



**Motors**  
7.5 kW



**Waste Types**  
E-Waste, Drums,  
MSW and Product  
Destruction

