



## Dimensions

Height	1 911 mm
Width	1 367 mm
Length	3 018 mm
Number of Cutters	42
Cutter Thickness	18.8 mm
Motor Power	2 x 7.5kW
Approx Weight	2 190 Kg

## Cutting Chamber

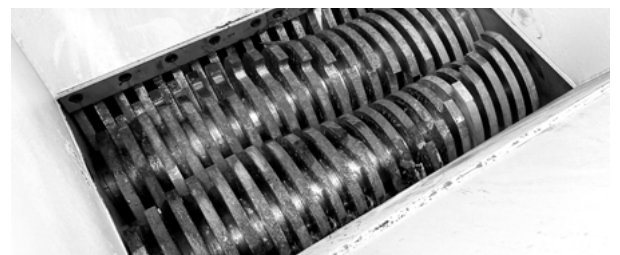
Length	810 mm
Width	470 mm

## Features

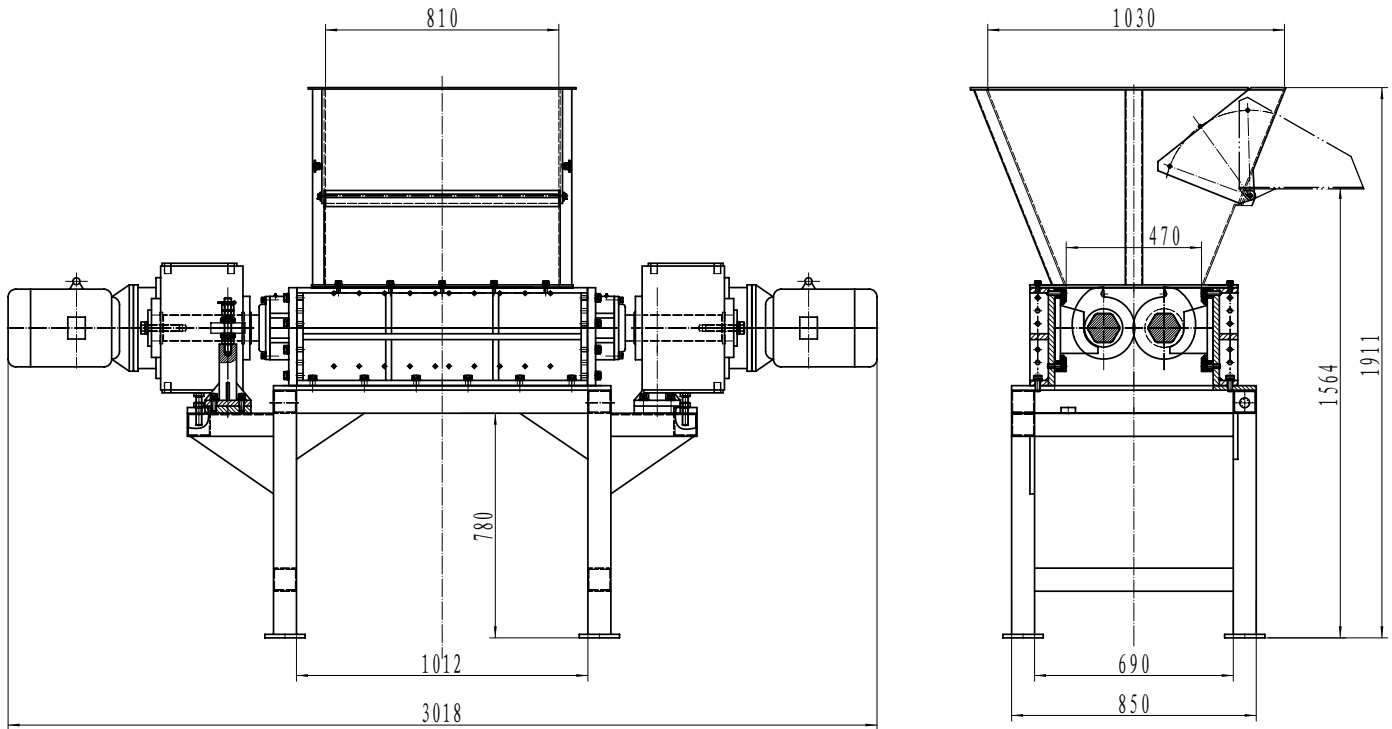
- Dual Motors
- Ideal for, E-Waste, Drums, MSW and Product Destruction
- Auto Reverse Protection
- Easy Maintenance
- Reliable & Durable Construction
- Low Speed - Low Maintenance

## Optional Extras

- Additional Force Feeding Ram
- Rotating Material Sizing Screens
- Multiple Blade Variations
- Custom Hopper Designs
- In-Feed and Out Feed Conveyors
- Elevated work and loading platforms



Dimensions and technical information without obligation. Subject to change.



Size Comparison



**Shaft Type**  
2 Shaft Shredder



**Cutters**  
x42 (18.8mm thick)



**Motors**  
2 x 7.5kW



**Waste Types**  
E-waste, Paper,  
Wood, Bottles, Cans,  
MSW/RDF ...

