



Dimensions

Height	2 810mm
Width	2 410mm
Length	6 800mm
Chamber Opening (WxL)	1 500 x 1 380mm
Chamber Volume	1.5m ³
Swept Volume	0.72m ³
Loading height	1 500mm
Motor	5.5kW
Power Supply	415V 3 Phase
Cycle Time	56 Seconds
Compaction Force	33T
Chamber width	1 500mm
Chamber length	1 380mm
Chamber height	1 200mm
Weight	4,85T

[More product info on our website >>](#)

Features

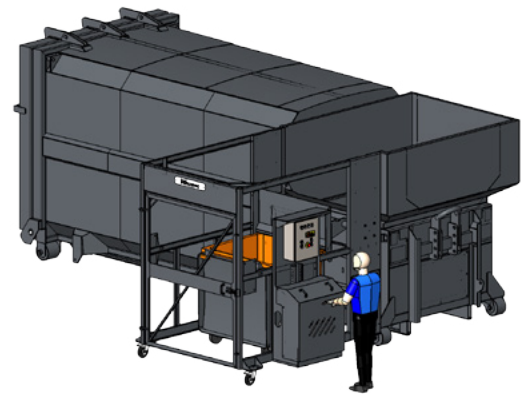
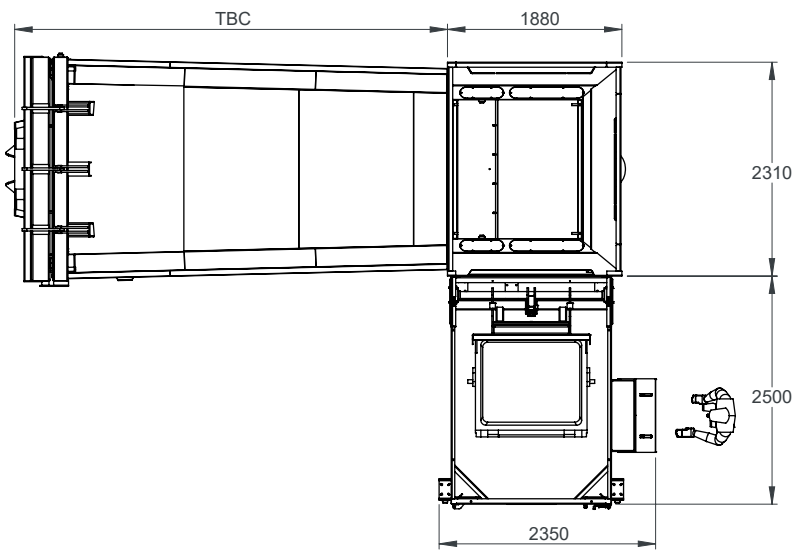
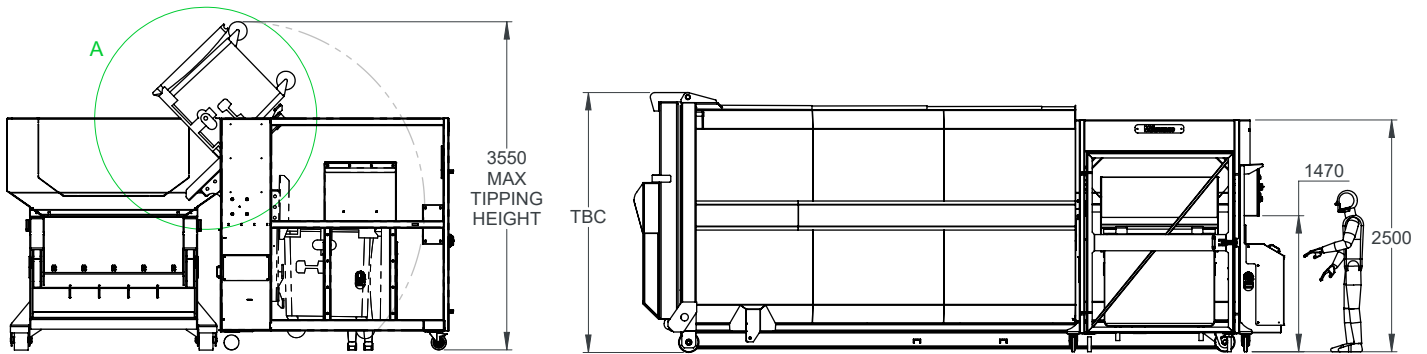
- Special design for wet waste material
- High compaction force optimising transport payloads
- Suitable for a range of waste material
- Easy & safe to operate
- Robust design & build - engineered for long life and optimum performance
- Hour meter, full signal & 80% full signal included

Optional Extras

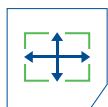
- Custom feed hopper
- Wall chutes
- Odour Control system
- Bin tipper for in-feed
- GSM modem for remote notifications
- Hydraulic hopper lid



Dimensions and technical information without obligation. Subject to change.



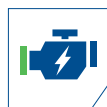
Size Comparison



Feed Opening
1500mm x 1380mm



Pressing Force
33 Ton



Motor
5.5kW



Waste Types
General Waste,
Cardboard, Bulk
Bags, Commingled

