

Dimensions

Height	1 789 mm
Width	1 331 mm
Length	1 914 mm
Weight	907 Kg
Feed Opening	320 x 325 mm

Performance

Throughput	Up to 500 Kg/hr
Motor	3.73 kW, 0.4 kW
Power Supply	415 V 3 Phase

[View product info on our website >>](#)

Features

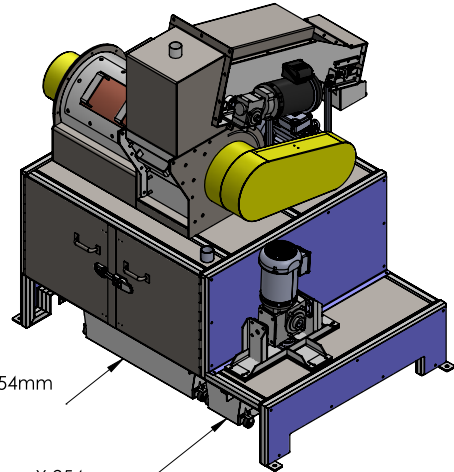
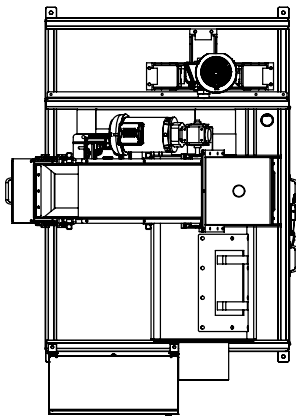
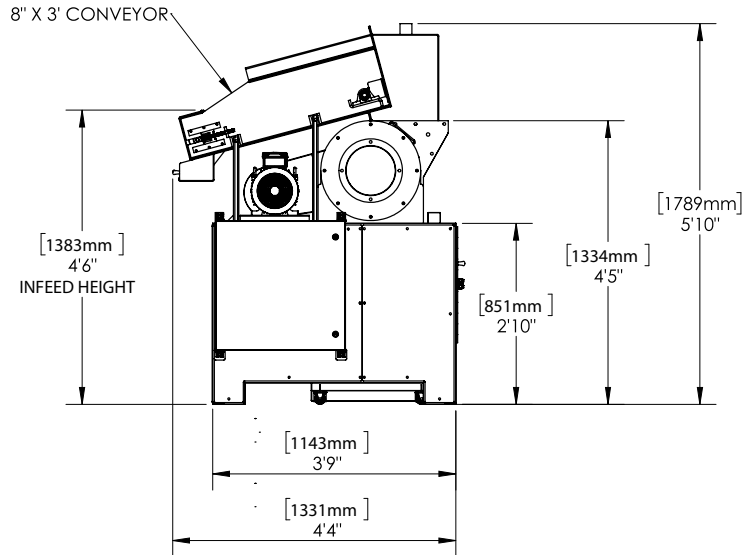
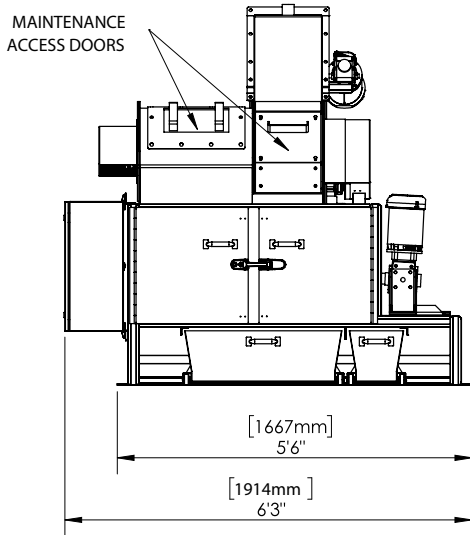
- Patented flexible impactor technology
- Integrated trommel separates glass and non-glass residue
- Compact and easy to operate and maintain
- Produces a "safe-glass" output product with no sharp edges

Optional Extras

- Dust Suppression
- Misting System
- Vacuum extraction system

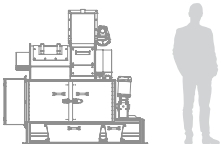


Dimensions and technical information without obligation. Subject to change.



737mm X 559mm X 254mm
29" X 22" X 10"
GLASS BIN

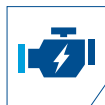
229mm X 559mm X 254mm
9" X 22" X 10"
WASTE BIN



Size Comparison



Compaction Ratio
Up to 5:1



Motor
3.73kW/.75kW



Waste Types
Glass

