



Dimensions

Height	1 570mm
Width	2 645mm
Length	2 090mm
Chamber Opening (WxL)	1 505 x 1 250mm
Chamber Volume	1.77m ³
Swept Volume	1.37m ³
Loading height	1 290mm
Motor	5.5kW 16A
Power Supply	415V 3 - Phase
Cycle Time	70 seconds (optional 40)
Compaction Force	Up to 30T

[More product info on our website >>](#)

Features

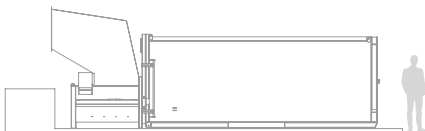
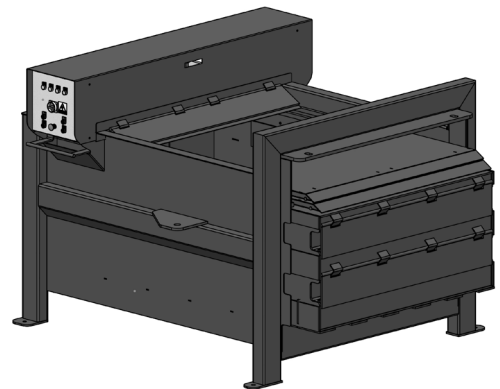
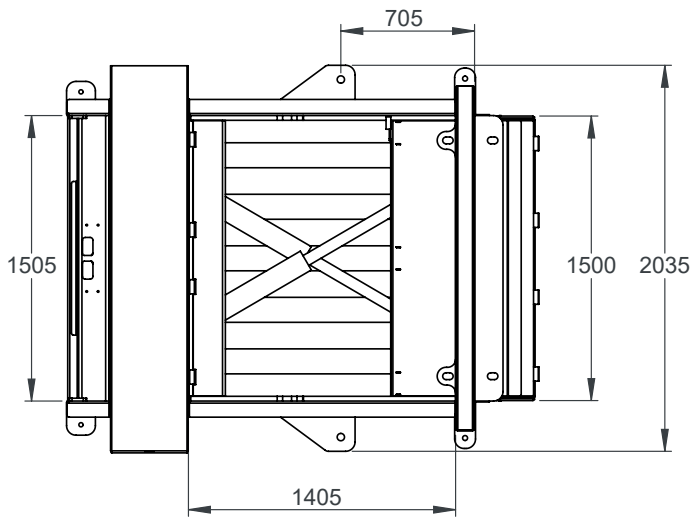
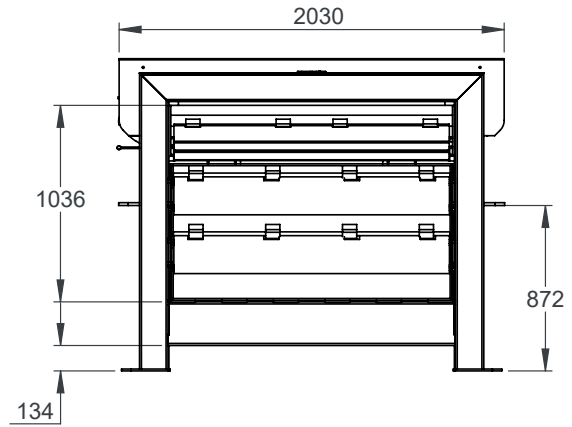
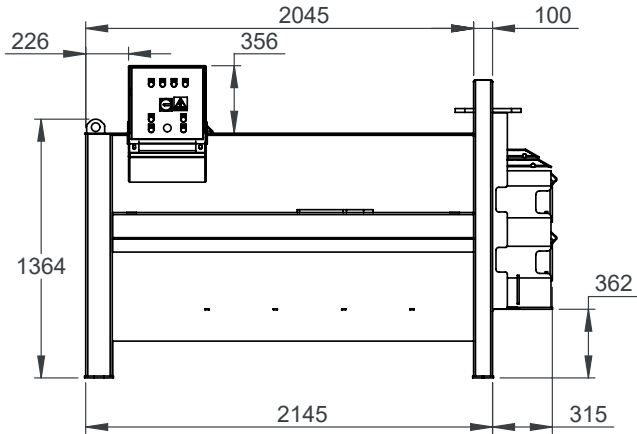
- Compact design, suitable for tight docks and ideal feeding from the rear.
- High compaction force optimising transport payloads
- Suitable for a range of waste material
- Easy & safe to operate and optimum performance
- Robust design & build - engineered for long life and optimum performance
- Hour meter, full signal & 80% full signal included
- Built in power pack for security and safety of personnel
- Bin-away switch

Optional Extras

- Custom feed hopper
- Wall chutes
- Infeed conveyor
- Material pre-shredder
- Bin tipper for in-feed



Dimensions and technical information without obligation. Subject to change.



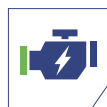
Size Comparison



Compaction Ratio
Up to 6:1



Pressing Force
Up to 30 Ton



Motor
5.5kW
16A



Waste Types
General Waste,
Cardboard, Bulk
Bags, Commingled

