



## Features

- High Force horizontal baler
- Low power consumption - auto sleep mode
- Intuitive controls
- Multiple product settings
- Touchscreen operator interface
- Low noise
- Replaceable shear knife and wear plates
- Hopper access door
- Continuous feed

## Optional Extras

- PET Perforator
- Dejamming Cylinders
- Feed conveyor
- Power Pack upgrade
- Hardox upgrades
- Custom hopper

## Dimensions

Height	2 250mm
Width	4 000mm
Length	8 000mm
Feed Opening	1 600mm x 1 050mm

## Bale Dimensions

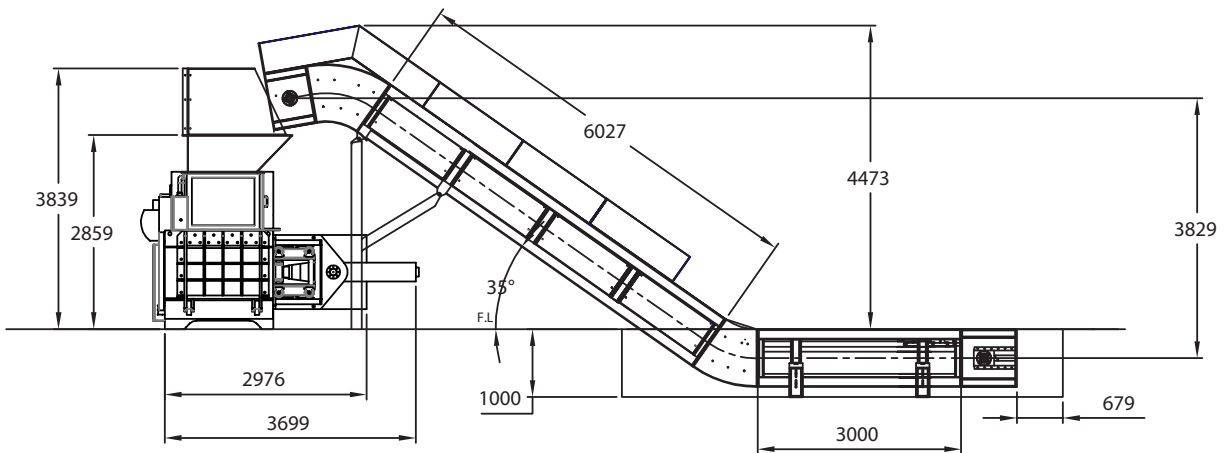
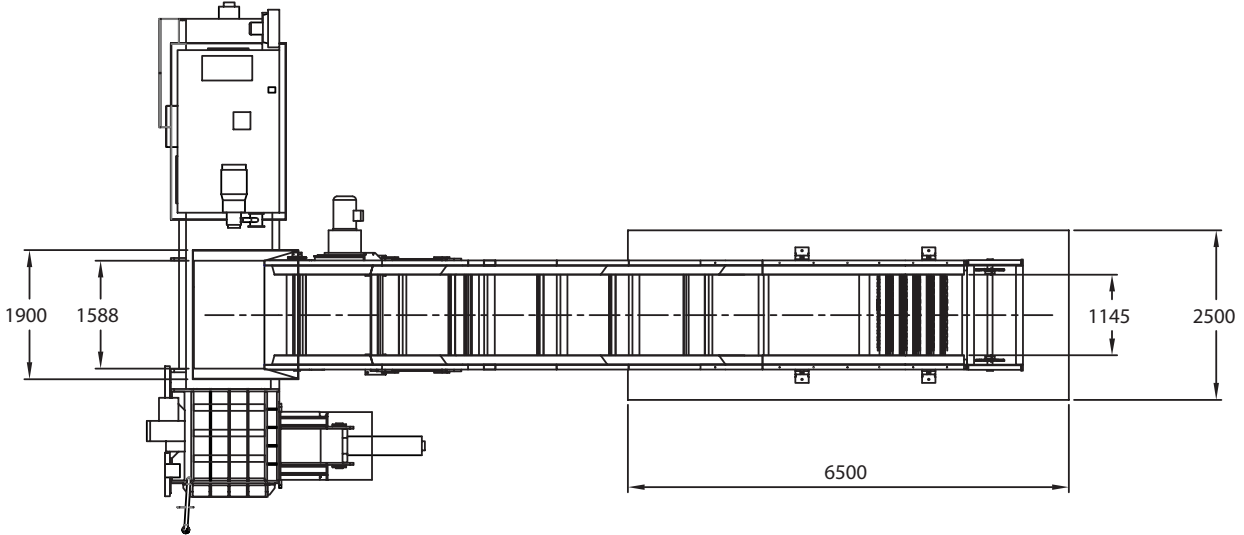
Height	750mm
Width	1 100mm
Length	1 050mm - 1 450mm
Wire Tie System	Accent (USA) 470

## Performance

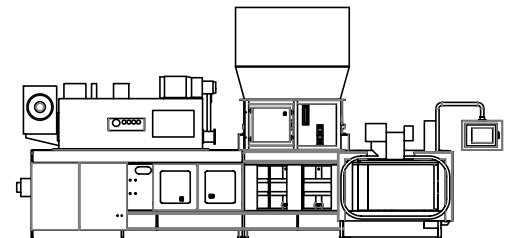
Motor	40HP (30Kw)	60HP (45Kw)
Oil Reservoir	1 500L	1 500L
Throughput (TPH) (Max. Plastic Bottle)	3-5	5-10
Machine Weight	17T	17T
Main Cylinder	D224	
Ejector Cylinder	D200	
Max. Force	90 Tons	



Dimensions and technical information without obligation. Subject to change.



Size Comparison



**Pressing Force**  
Up to 90 Ton



**Motor**  
40 HP / 60 HP



**Waste Types**  
Cardboard, Paper,  
Plastics, MSW

