



### Baler Dimensions

Height	2 383 mm
Width	1 440 mm
Depth	1 012 mm
Weight	585 kg
Transportation Height	1 881 mm
Power Supply	240V 1 Phase
Motor	2.2kW 15A
Pressing Force	Up to 6T
Noise Level	64-68 dB
Cycle Time	34 Seconds

### Bale Dimensions

Height	800 mm
Width	980 mm
Depth	800 mm
Weight	Up to 110kg

### Loading Aperture Sizes

Height	550 mm
Width	980 mm

### Baler Features

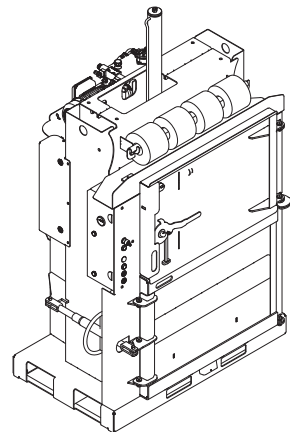
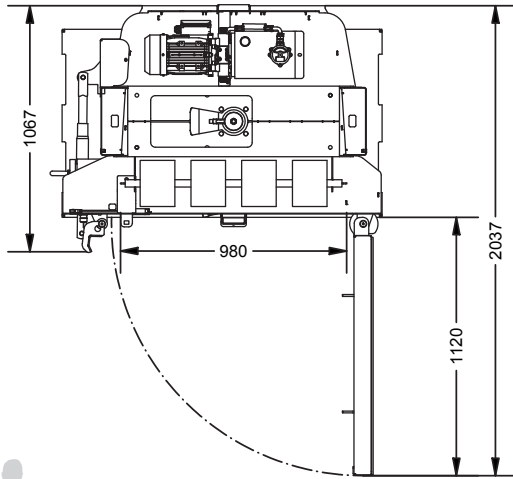
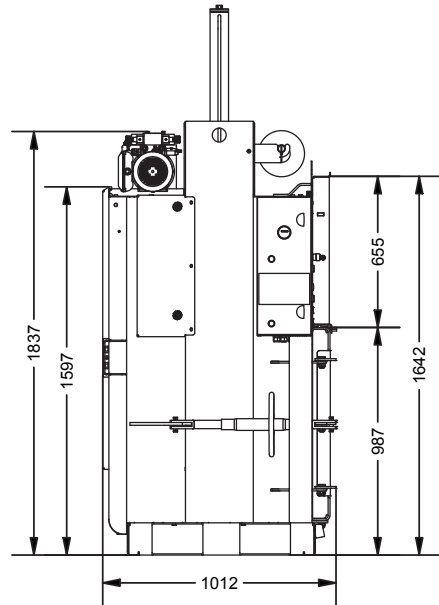
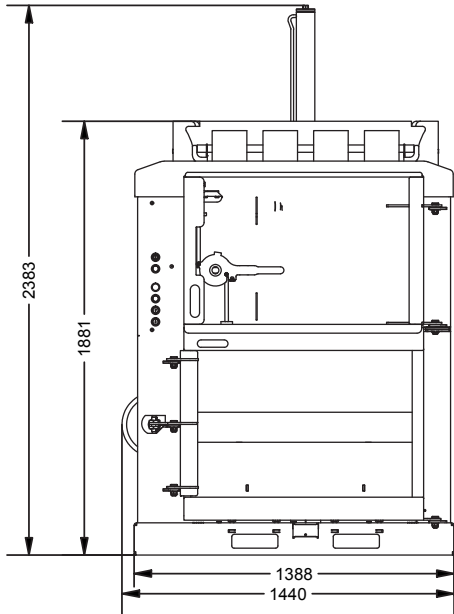
- Retaining claws to prevent spring back of material
- Fully automatic bale ejector, simplifies bale removal
- PLC Panel with automatic compaction cycles
- Bale full indicator
- 2 year warranty

### Optional Extras

- Galvanised finish
- Sliding top door for easy loading of material
- 3-Phase 415V power supply



Dimensions and technical information without obligation. Subject to change.



Size Comparison



**Bale Weight**  
Up to 110 Kg



**Pressing Force**  
Up to 6 Ton



**Motor**  
2.2kW 15A



**Waste Types**  
Cardboard, Plastic  
Film, Paper, E-Waste,  
Cans, LDPE Film ...

