



### Baler Dimensions

Height	2 336 mm
Width	1 070 mm
Depth	731 mm
Weight	270 kg
Transportation Height	1 786 mm
Power Supply	240V 1 Phase
Motor	1.5kW 10A
Pressing Force	Up to 3.5T
Noise Level	62 dB
Cycle Time	24 Seconds

### Bale Dimensions

Height	735 mm
Width	702 mm
Depth	500 mm
Weight	Up to 75kg

### Loading Aperture Sizes

Height	698 mm
Width	702 mm

### Baler Features

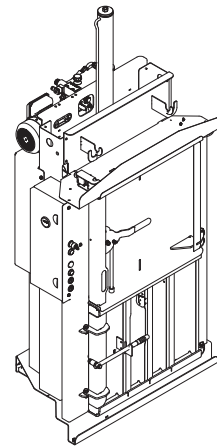
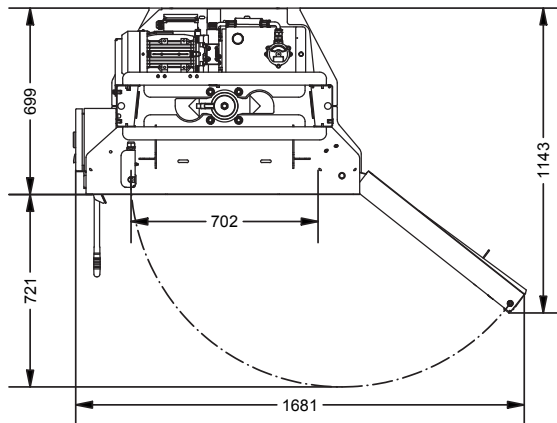
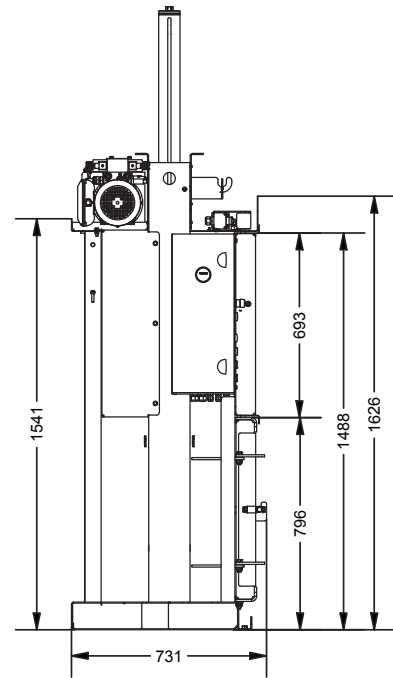
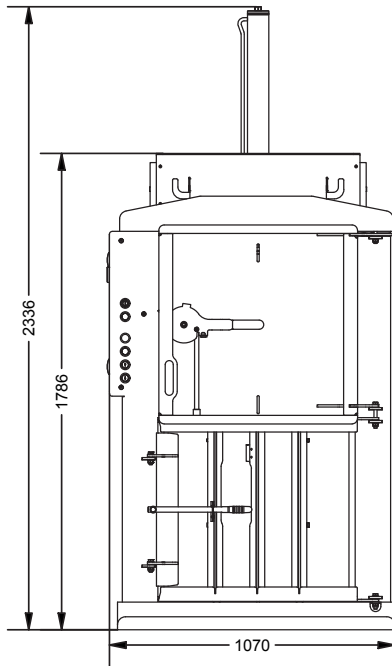
- Retaining claws to prevent spring back of material
- PLC Panel with automatic compaction cycles
- Bale full indicator
- 2 year warranty

### Optional Extras

- Galvanised finish
- Fully automatic bale ejector, simplifies bale removal



Dimensions and technical information without obligation. Subject to change.



Size Comparison



**Bale Weight**  
Up to 75 Kg



**Pressing Force**  
Up to 3.5 Ton



**Motor**  
1.5kW 10A



**Waste Types**  
Cardboard, Plastic  
Film, Paper, LDPE  
Film ...

