



Baler Dimensions

Height	3 342 mm
Width	1 753 mm
Depth	1 269 mm
Weight	1 300 kg
Transportation Height	2 217 mm
Power Supply	415V 3 Phase
Motor	5.5kW 20A
Pressing Force	Up to 25T
Noise Level	72 dB
Cycle Time	40 Seconds

Bale Dimensions

Height	1 000 mm
Width	1 194 mm
Depth	800 mm
Weight	Up to 450kg

Loading Aperture Sizes

Height	676 mm
Width	1 194 mm

Baler Features

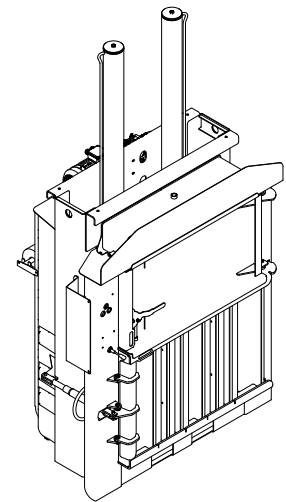
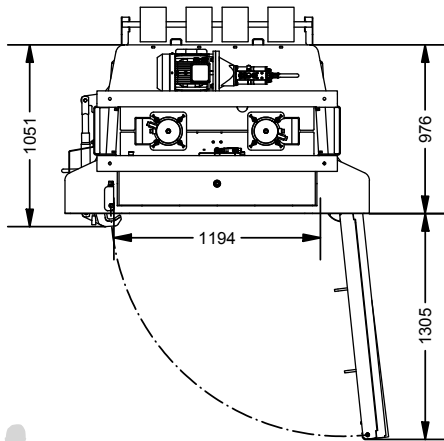
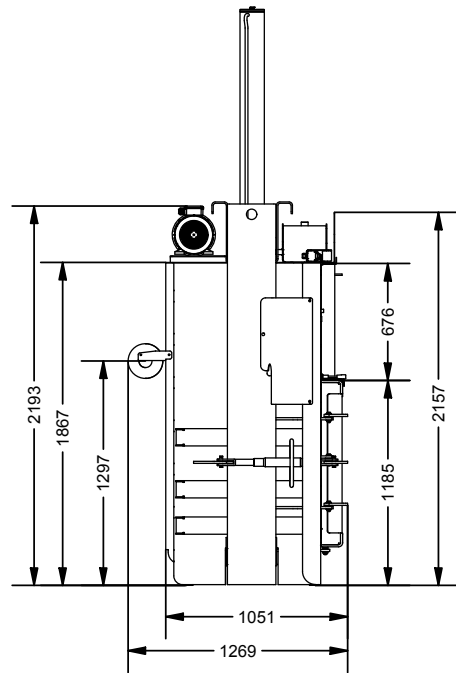
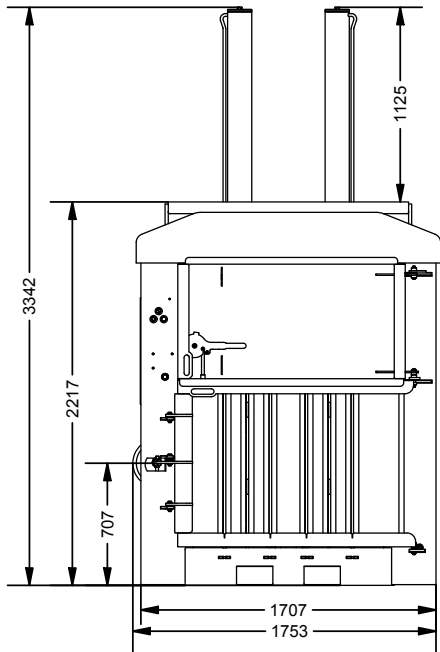
- Produces a mill-sized bale
- Long ram system provides high density bales
- Can bale a variety of waste products including plastic bottles, textiles & heavy-duty materials
- Retaining claws to reduce spring back
- Fully automated bale ejector to simplify removal of bale
- Twin rams
- 2 year warranty

Optional Extras

- Galvanised finish
- Sliding door



Dimensions and technical information without obligation. Subject to change.



Size Comparison



Bale Weight
Up to 450 Kg



Pressing Force
Up to 25 Ton



Motor
5.5kW 20A



Waste Types
Cardboard, Plastic
Film, Paper, E-Waste,
Cans, LDPE Film ...

