



## Can Crusher Dimensions

Height	1 756 mm
Width	718 mm
Depth	614 mm
Weight	187 kg
Transportation Height	1 409 mm
Power Supply	240V 1 Phase
Motor	1.5kW 10A
Pressing Force	Up to 2T
Noise Level	68 dB
Cycle Time	20 Seconds

## Loading Aperture Sizes

Height	490 mm
Width	522 mm
Depth	460 mm

## Can Crusher Features

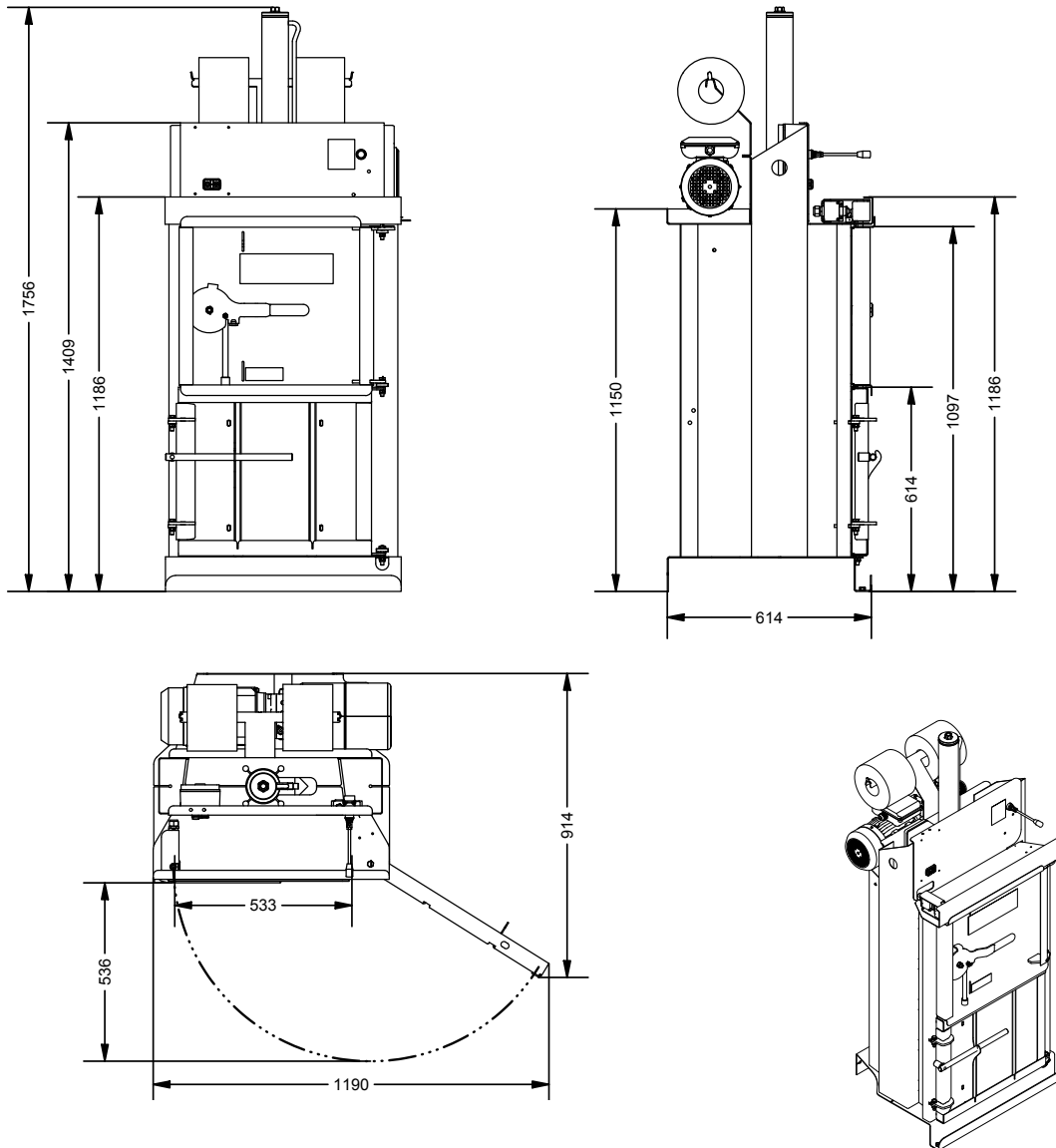
- Crusher Stand Insert
- 2 year warranty

## Optional Extras

- Galvanised finish



Dimensions and technical information without obligation. Subject to change.



Size Comparison



**Pressing Force**  
Up to 2 Ton



**Motor**  
1.5kW 10A



**Waste Types**  
Aluminium Cans,  
Paint Cans

