



MAVITEC
Green Energy
SOLE AUSTRALIAN DISTRIBUTOR



Dimensions

Height	1 503mm
Width	1 070mm
Length	2 408mm
Motor	37-45 kW
Weight	1 600kg
Inlet	1 000 x 380 mm
Outlet	1 000 x 620 mm
Capacity (depending on material)	7.5 - 20 m ³ /h

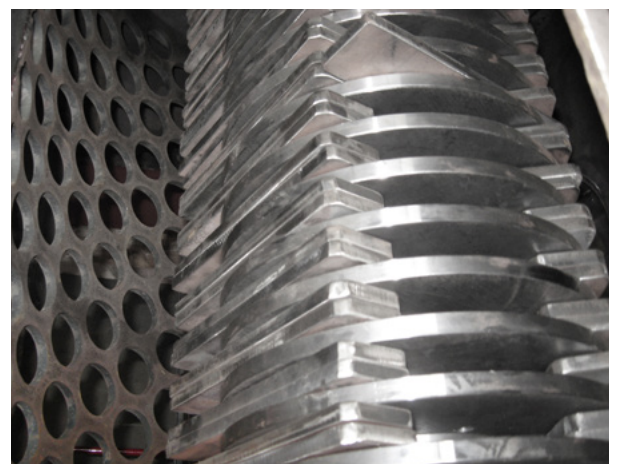
[More product info on our website >>](#)

Features

- Compact size
- Heavy duty construction
- Low maintenance design
- More than 99.5% clean organic material
- Quick opening doors for easy cleaning
- Bolt free screen exchange
- Low installed power
- Stainless steel isolated splash shields for low noise operation
- Electrical Control Panel

Optional Extras

- Variety of screen & hopper sizes
- Bin tipper or conveyor infeed options
- Discharge stockpiling conveyors
- Subframe for direct discharge to bins
- Water sprayers for wet processing
- Liquid catchment tank
- Organic discharge pump

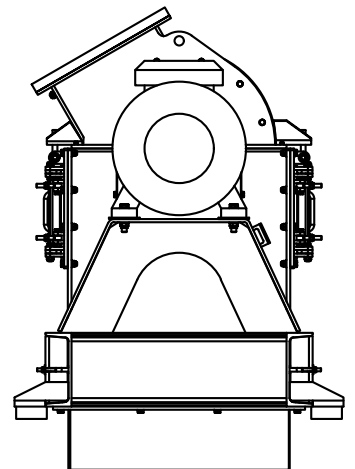
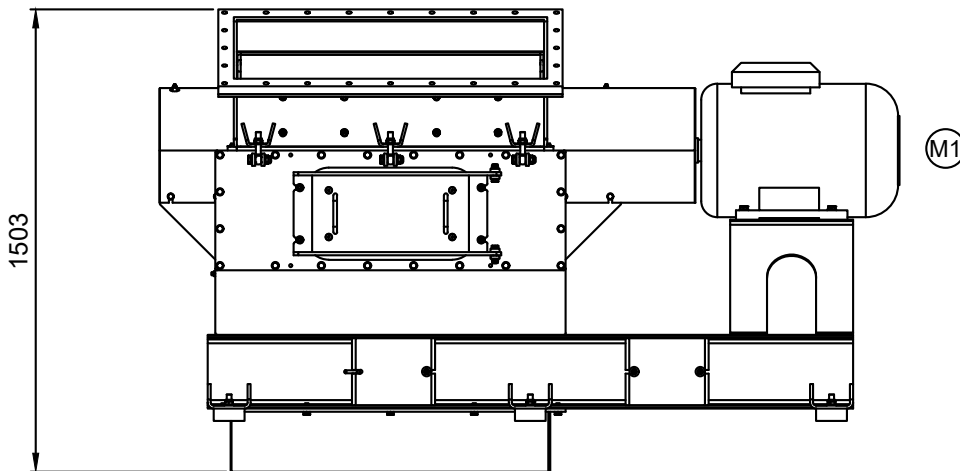
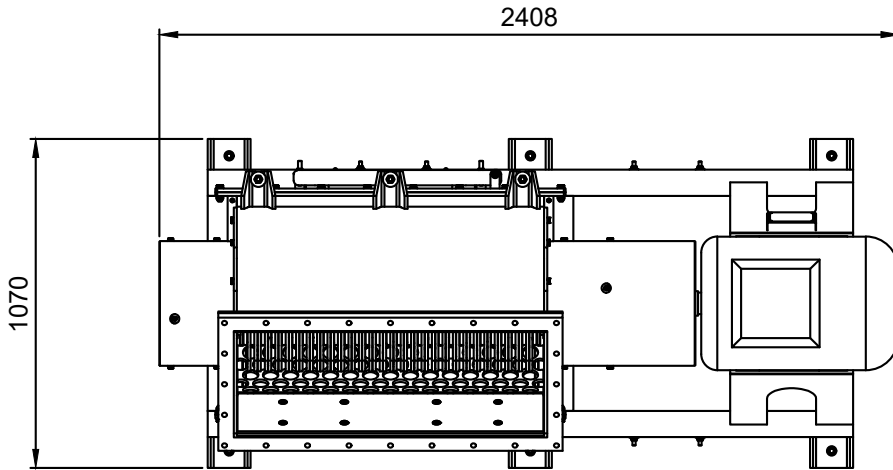


Input



Output

Dimensions and technical information without obligation. Subject to change.



Approx Weight
1600kg



Motor
37-45 kW



Waste Types
Packaged food product, Beverage containers

