



Dimensions

Height	1 320mm
Width	850mm
Length	2 200mm
Inlet	350 x 240 mm
Outlet	1 100 x 600 mm
Capacity (depending on material)	1 - 5 m ³ /h

S Series	11	18.5	22
Motor	11 kW	18.5kW	22 kW
Weight	1 100kg	1 175kg	1 200kg

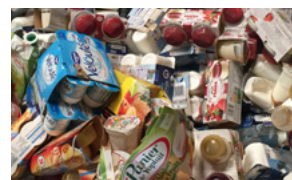
[More product info on our website >>](#)

Features

- Compact size
- Heavy duty construction
- Low maintenance design
- More than 99.5% clean organic material
- Quick opening doors for easy cleaning
- Bolt free screen exchange
- Low installed power
- Stainless steel isolated splash shields for low noise operation
- Electrical Control Panel

Optional Extras

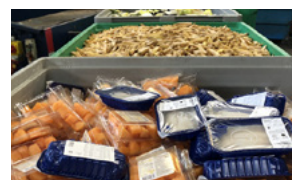
- Variety of screen & hopper sizes
- Bin tipper or conveyor infeed options
- Discharge stockpiling conveyors
- Subframe for direct discharge to bins
- Water sprayers for wet processing
- Liquid catchment tank
- Organic discharge pump



Input



Output

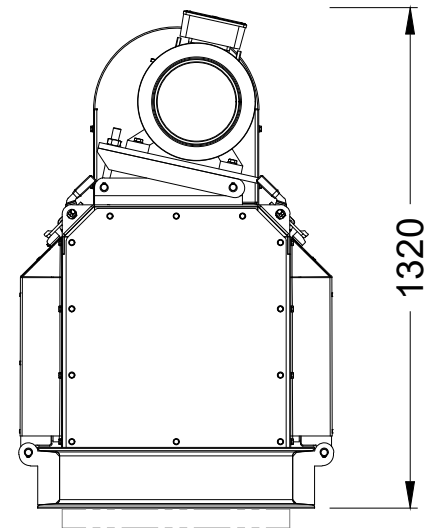
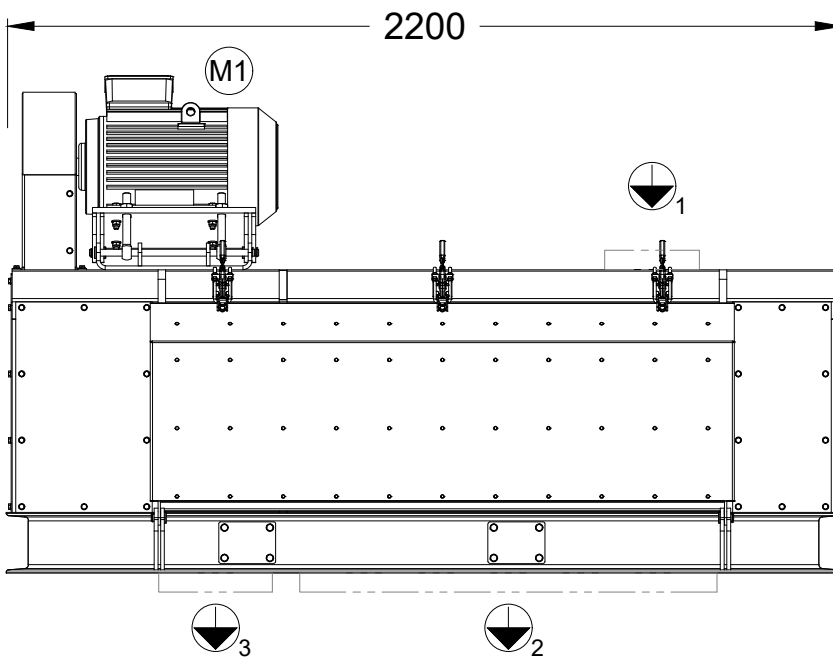
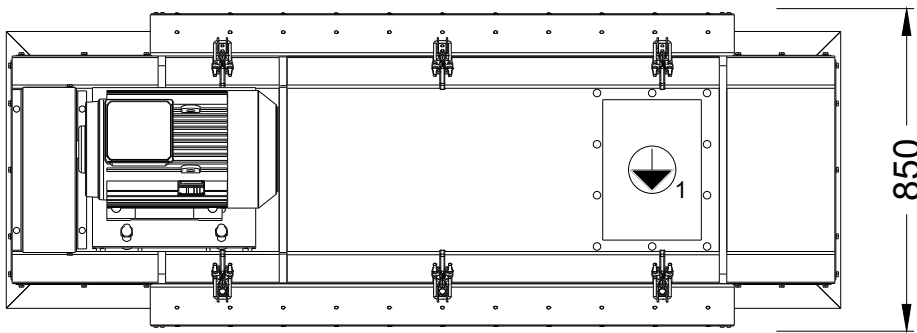


Input



Output

Dimensions and technical information without obligation. Subject to change.



Approx Weight
1100kg | 1175kg |
1200kg



Motor
11 kW | 18.5kW | 22kW



Waste Types
Packaged food
product, Beverage
containers

