

Dimensions

Height	2 032mm
Width	1 257mm
Length	2 470mm
Weight	2 495 Kg
Feed Opening	127mm
Throughput	50TPH

Performance

Motor	100hp (75kW)
Power Supply	415V
Rotor Range	2 000-2 600 RPM
Roto Diameter	457mm



Features

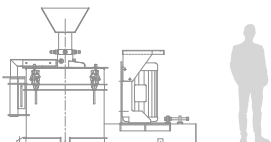
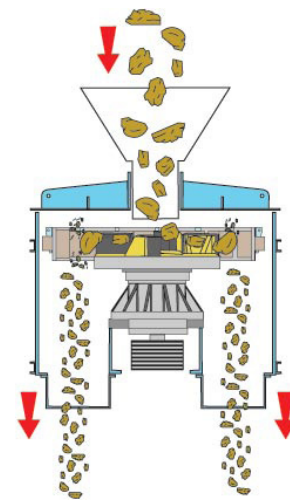
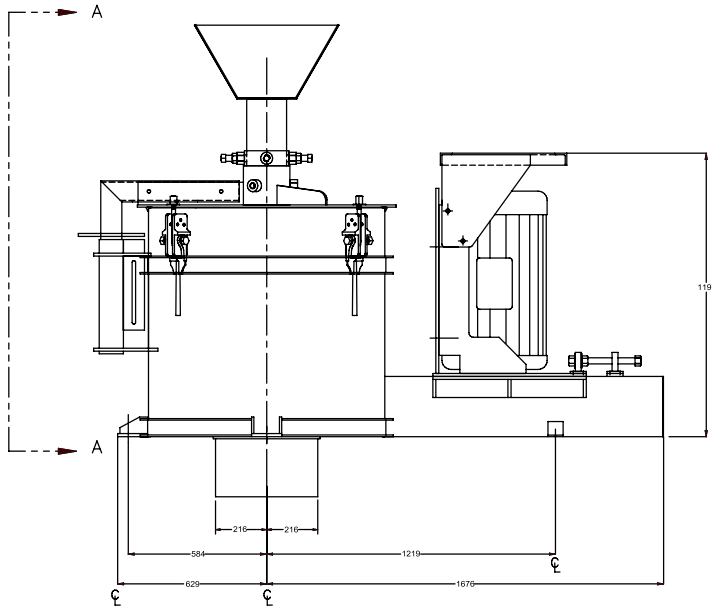
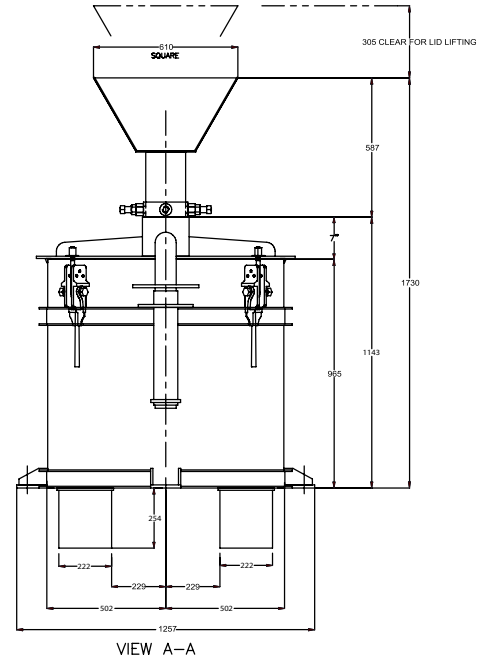
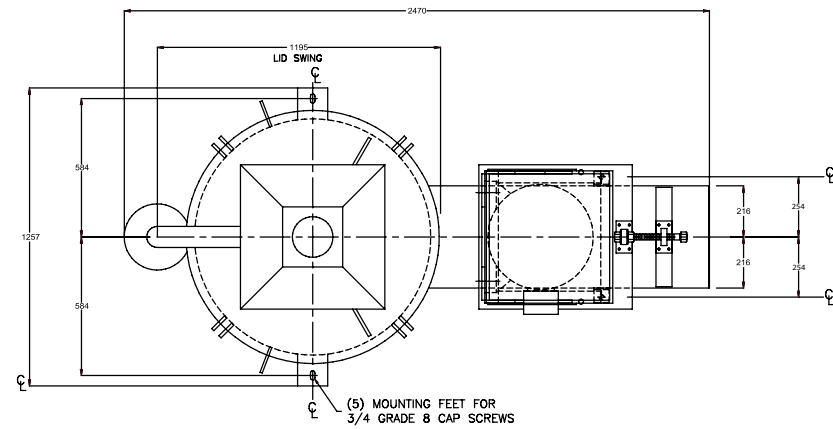
- Numerous component combinations
- The lid can be opened in minutes for easy maintenance
- Manufactured with inspection door
- Adjustable feed hopper
- Controls and monitors oil flow, oil level and temperature
- Comes standard with vibration sensors

Optional Extras

- Oil cooler
- Oil heater



Dimensions and technical information without obligation. Subject to change.



Size Comparison



Throughput
50 TPH



Motor
75kW



Waste Types
Glass

