



Dimensions

Height	1 875 mm
Width	1 747 mm
Length	2 825 mm
Approx Weight	3 500 kg
Motor Power	37 kW
Main Shaft Speed	74 r/min
Rotor-knives	42 +4 pcs

Cutting Chamber

Length	1 410 mm
Width	800 mm

[More product info on our website >>](#)

Features

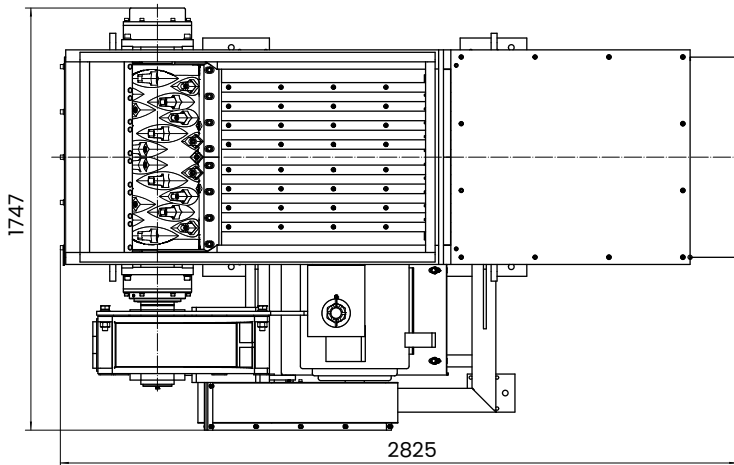
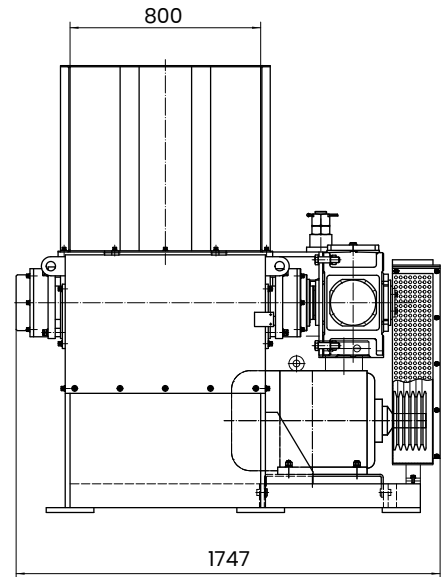
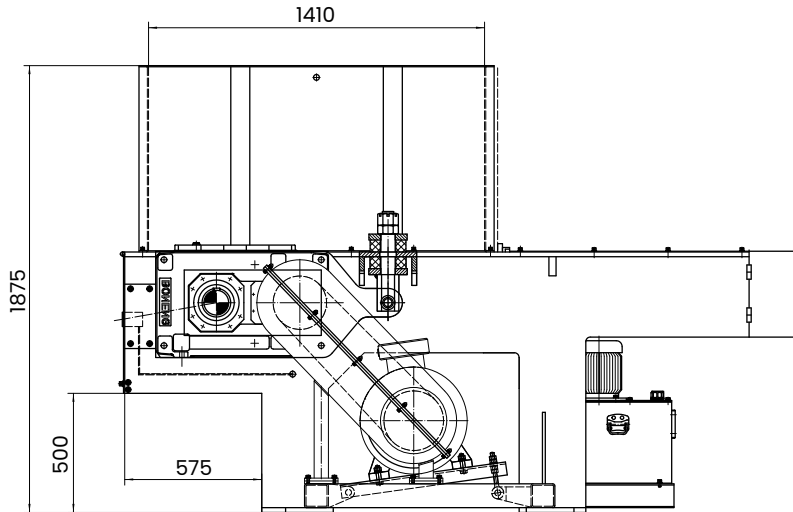
- Pusher ram introducing the material to the cutting rotor
- Hardened steel rotor knives
- Integrated shock absorbers
- Material sizing screens
- Built in hydraulic power pack
- Suitable for Cardboard, Plastic, Paper, Timber and Cans
- Auto Reverse Protection
- Easy Maintenance
- Reliable & Durable Construction
- Generous Loading Aperture

Optional Extras

- Additional Vertical Force Feeding Ram
- Film Rotor
- Hard Material Rotor, Film Rotor
- Custom Hopper Designs
- In-Feed and Out Feed Conveyors
- Elevated work and loading platforms



Dimensions and technical information without obligation. Subject to change.



Size Comparison



Shaft Speed
74 (r/min)



Rotor Knife
42 +4 (pcs)



Motor
37 kW



Waste Types
Cardboard, Plastic,
Paper, Timber and
Cans

