

The Olnova 85 Series primary shredders process diverse waste materials. Available in mobile, hook lift, and stationary versions, with diesel or electric engines, they offer up to 100 T/h capacity and advanced features like remote control for efficient operation.



### Features

- Remote control
- Durable shredding parts
- Capacity up to 100 T/h (depends on material)
- Hydraulic discharge conveyor
- Tracked for mobility
- Reverse shafts mode to prevent blockages
- ESD System

### Options

- Overbelt Magnet
- Water Sprinkling System
- Reversible Fans for radiator cleaning
- Additional Conveyors
- Current generator (for the VB 85 E model)
- Optional Diverse and Waste Shafts
- Sieve systems for material separation
- Industry 4.0 module for remote performance analysis, feedback and troubleshooting worldwide

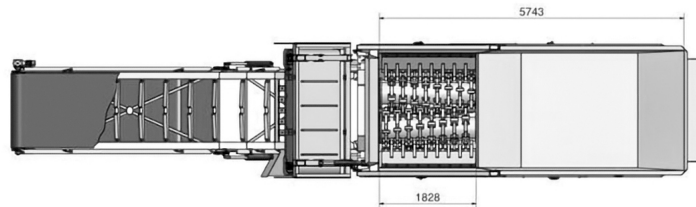
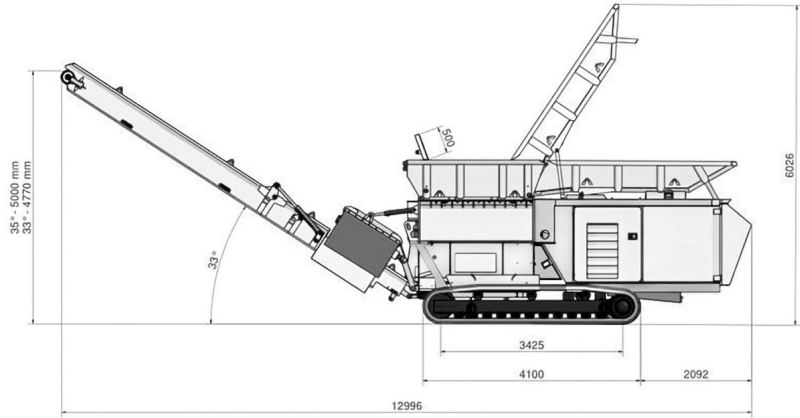
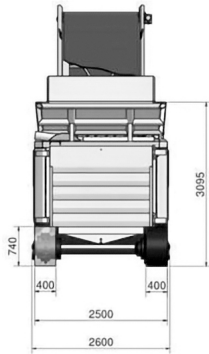
### Specifications

Model	VB 85 DK	VB 85 D	VB 85 E
Type	Tracked	Hooklift	Stationary
Drive	Diesel	Diesel	2 x Electric
Power	480/358 hp/kW	480/358 hp/kW	429/320 hp/kW
Output	20-100 T/hr	20-100 T/hr	20-100 T/hr
Input Material Size	2500 to 5000 mm	2500 to 5000 mm	2500 to 5000 mm
Output Material Size	150 - 400 mm	150 - 400 mm	150 - 400 mm
Shaft Speed	23-43 rpm	23-43 rpm	23-43 rpm
Discharge Height (35°)	5 000 mm	4 700 mm	4 800 mm
Transport Width	2 600 mm	2 500 mm	2 800 mm
Transport Height	3 095 mm	3 000 mm	3 120 mm
Transport Length	8 880 mm	8 900 mm	11 360 mm
Operating Length	12 996 mm	12 800 mm	12 600 mm
Controls	radio remote	radio remote	radio remote
Weight	35 T	27 T	25 T

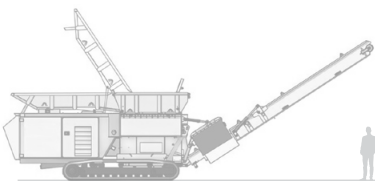
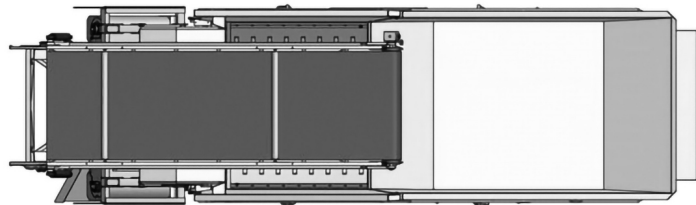
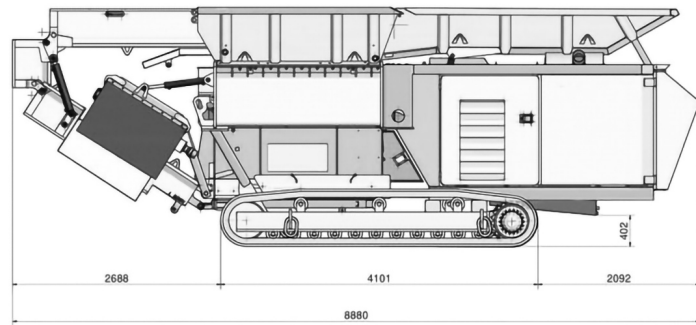
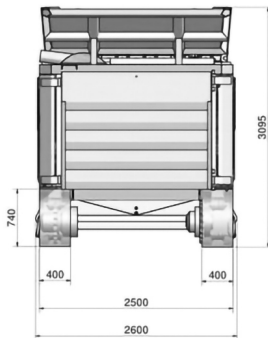


Dimensions and technical information without obligation. Subject to change.

85 DK MODEL  
 (OPERATIONAL)



85 DK MODEL  
 (TRANSPORT)



Size Comparison



**Shaft Type**  
 2 Shaft  
 Shredder



**Motor**  
 480/358 hp/kw  
 e. 429/320 hp/kw  
 x2



**Waste Types**  
 Industrial waste, municipal  
 waste, wood waste, railway  
 sleepers, stones, tyres, bulky  
 waste, C&D waste and car  
 bodies.