

Olnova's 95 Series mobile shredder is the pinnacle of engineering and performance. Processing up to 200 tons per hour, it processes various waste types with ease, including industrial, bulky, municipal, wood, C&D and cars. Equipped with diesel or electric engines, it's offered in stationary or mobile versions.



Features

- Remote control
- Durable shredding parts
- Capacity up to 200 T/h (depends on material)
- Hydraulic discharge conveyor
- Tracked for mobility
- Reverse shafts mode to prevent blockages
- ESD System

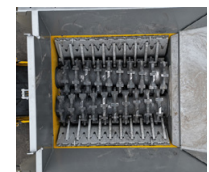
Options

- Overbelt Magnet
- Water Sprinkling System
- Reversible Fans for radiator cleaning
- Additional Conveyors
- Current generator (for the VB 95 E model)
- Optional Diverse and Waste Shafts
- Sieve systems for material separation
- Industry 4.0 module for remote performance analysis, feedback and troubleshooting worldwide



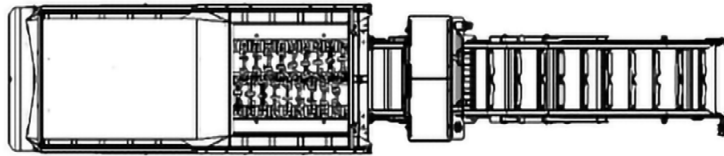
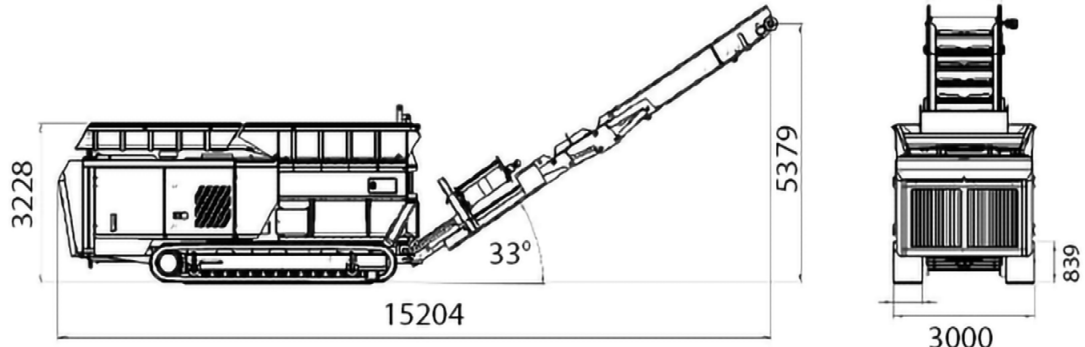
Specifications

Model	VB 95 DK	VB 95 D	VB 95 E
Type	Tracked	Hooklift	Stationary
Drive	Diesel	Diesel	2 x Electric
Power	760/566 hp/kW	760/566 hp/kW	2 x 335/2x250
Output	40-200 T/hr	40-200 T/hr	40-200 T/hr
Input Material Size	2500 to 5000 mm	2500 to 5000 mm	2500 to 5000 mm
Output Material Size	150 - 400 mm	150 - 400 mm	150 - 400 mm
Shaft Speed	13-29 rpm	13-29 rpm	13-29 rpm
Discharge Height (35°)	5 300 mm	4 500 mm	4 500 mm
Transport Width	3 000 mm	3 000 mm	3 000 mm
Transport Height	3 305 mm	3 200 mm	3 200 mm
Transport Length	11 360 mm	11 360 mm	11 360 mm
Operating Length	15 204 mm	14 200 mm	14 200 mm
Controls	radio remote	radio remote	radio remote
Weight	44 T	38 T	36 T

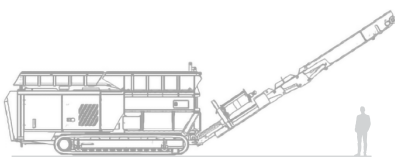
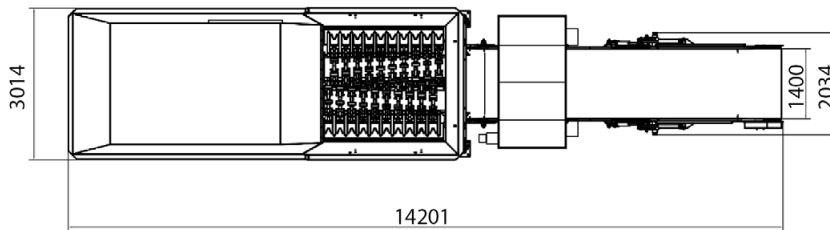
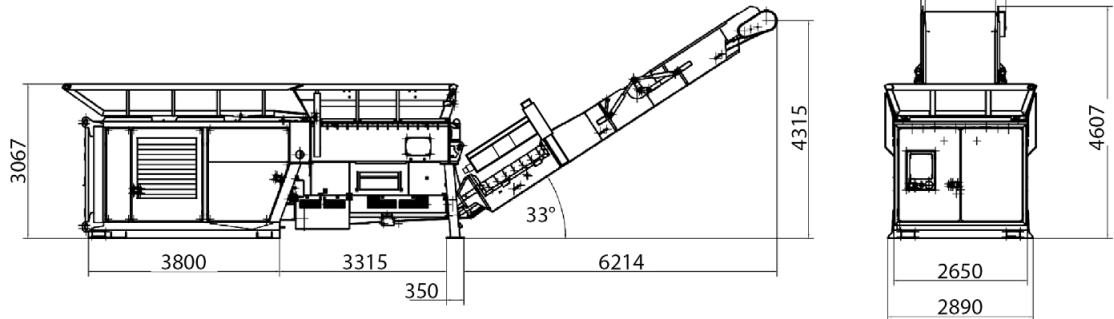


Dimensions and technical information without obligation. Subject to change.

95 DK MODEL
 (OPERATIONAL)



95 E MODEL
 (TRANSPORT)



Size Comparison



Shaft Type
 2 Shaft
 Shredder



Motor
 760/566 hp/kw
 e. 335/250hp/kw
 x2



Waste Types
 Industrial, municipal, wood,
 bulky and C&D waste, railway
 sleepers, telephone poles,
 tyres, wind turbine blades,
 engine blocks and car bodies