

The Olnova Model 5 stands out as a top-tier mobile shredder, adept at processing diverse materials such as wood waste, asphalt, and concrete. Equipped with advanced features and efficient diesel engines, it offers unmatched mobility and recycling capabilities for various applications, from construction and demolition waste to plastic recycling.



Features

- Cost saving and efficient VOLVO diesel engines
- Track Suspension & Hook Lift
- Quick shaft replacement system
- Hydraulically controlled side combs
- Hydraulic discharge conveyor
- Reverse shafts mode
- 3 Shredding modes : wood / universal / asynchronous
- Overbelt magnet
- Tilting hopper
- Industry 4.0 - Special module provides remote performance analysis, customer feedback and troubleshooting worldwide

Options

- Optional Diverse and Waste Shafts



Specifications

Dimensions

Transport Height	2 619 mm
Transport Width	2 200 mm
Transport Length	7 106 mm
Operational Height	3 581 mm
Operational Length	7 741 mm
Discharge Material Height	3 100 mm
Total Weight	15 T
Main & Tilt Hopper Volume	2.25 m ³
Discharge Material Height	3 100 mm

Engine

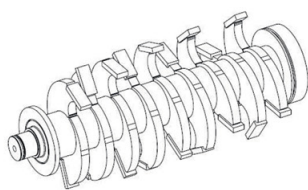
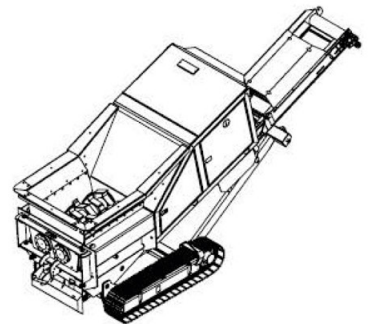
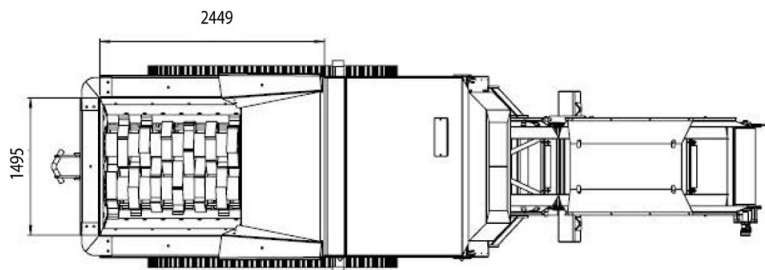
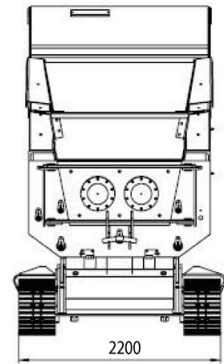
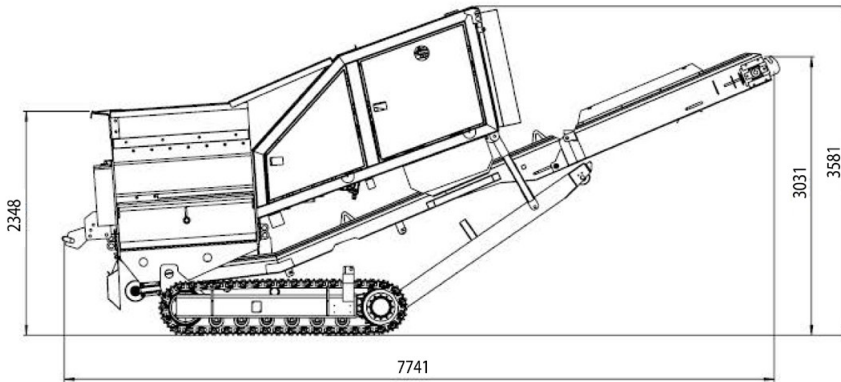
	EU	US	ROW
Type	Diesel	Diesel	Diesel
Model	TAD581VE	TAD572VE	TAD551VE
Power kW/HP	129/175	160/220	129/175
Emission Standard	Stage V	Tier 4f	Stage 3A

Shaft

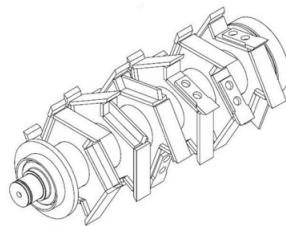
Diameter	680 mm
Length	1500 mm
Shaft revs.	up to 35 rpm
Weight	2000 kg (kg/cassette)



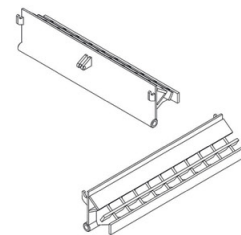
Dimensions and technical information without obligation. Subject to change.



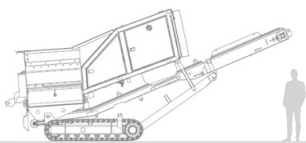
Shafts for Concrete / Asphalt / C&D waste



Shafts for Wood / Scrap / Biomass / Plastic Waste



Adjustable Side Combs



Size Comparison



Shaft Type
2 Shaft
Shredder



Motor
129 kW (EU)
160 kW (US)



Waste Types
Wood, Asphalt, Concrete,
Biomass, Plastic, Scrap