



Dimensions

Clearance Height	7 100 mm
Width	2 930 mm
Length	3 750 mm
Approx Weight	7 T, 8 T(RP-EV)
Drum Roller Width	1 800 mm
Drum Roller Weight	1 500 kg
Rolling Distance	6 600 mm

Power

	DIESEL	ELECTRIC
Power Supply	Kubota FSE, 3 cyc diesel	80V 315 AH, 26.2 kWh LFP Bat.
Drive	25.5 kW	4 kW
Mileage	4 L/hr	9 Hrs CRT
Speed		5 km/h
Minimum CR		4:1

Max. Container Size

Length	6600 (7 200) mm
Height	2 700 mm
Optional Height	3 100 mm

[More product info on our website >>](#)

Features

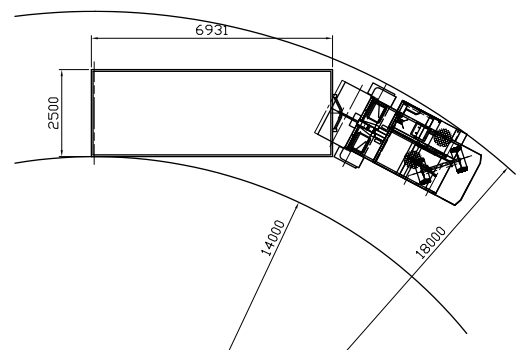
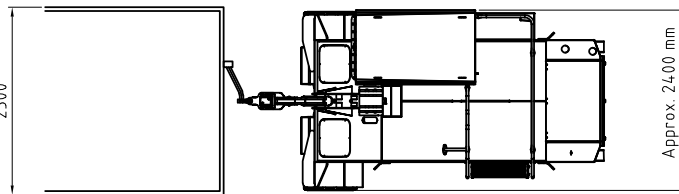
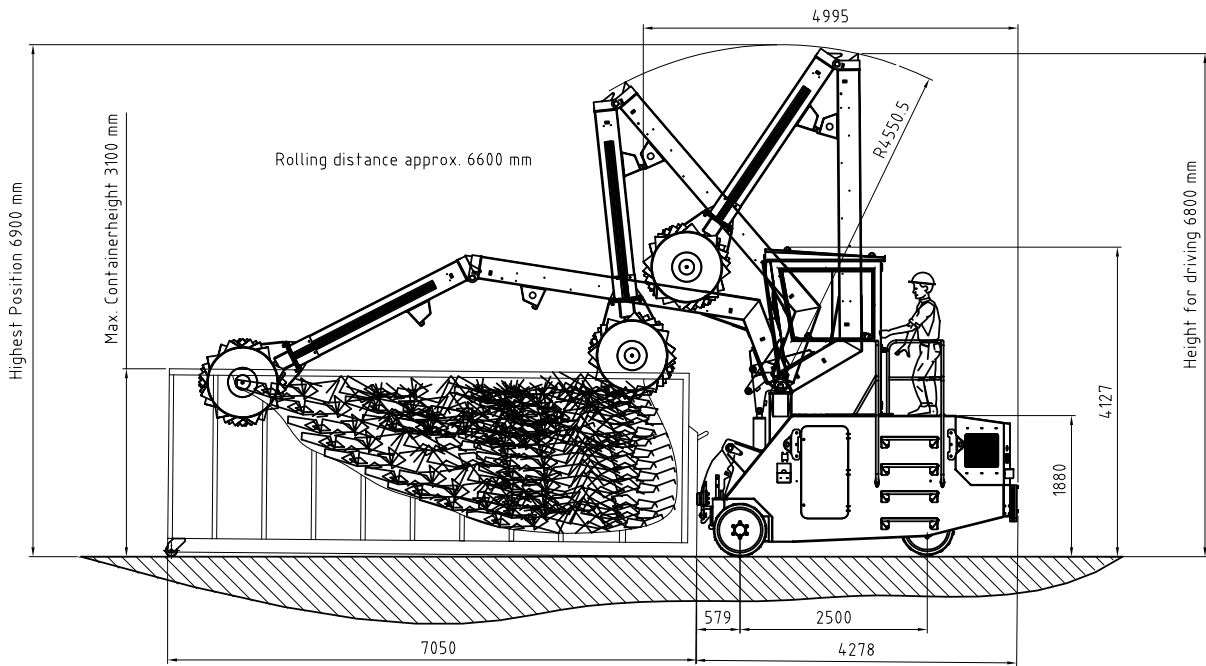
- Minimum compaction force of 4:1, optimising payloads
- Suitable for a range of bulky waste material
- Suitable for containers with a height of up to 3,100 mm
- Pick up and move containers with a unique hook to lift containers up to 12T around a site.
- Easy & safe to operate
- Robust design & build - engineered for long life and optimum performance
- Electric model (RP-EV) delivers all the flexibility of mobile compaction, without using diesel fuel

Optional Extras

- Available as electric model (RP-EV)
- Special-purpose compaction head
- Drum cleaning comb
- Air conditioning
- Bin lifting device for moving skip bins.



Dimensions and technical information without obligation. Subject to change.



Size Comparison



A compaction drum that rolls forward and backward



Approx Weight
7 T



Motor
Diesel FSE 25.5 kW
EV: 26.2kW



Approx Weight
Drum Roller
1 500 kg

