

### Dimensions

|                       |                                |
|-----------------------|--------------------------------|
| Height                | 1 570mm                        |
| Width                 | 2 645mm                        |
| Length                | 4 000mm                        |
| Chamber Opening (WxL) | 1 505 x 1 500mm                |
| Chamber Volume        | 2.15m <sup>3</sup>             |
| Swept Volume          | 1.64m <sup>3</sup>             |
| Loading height        | 1264mm                         |
| Motor                 | 5.5kW<br>(optional 11-18kW)    |
| Power Supply          | 415V 3 Phase                   |
| Cycle Time            | 88 seconds<br>(optional 40-55) |
| Compaction Force      | Up to 26T<br>(optional 38T)    |

[More product info on our website >>](#)

### Features

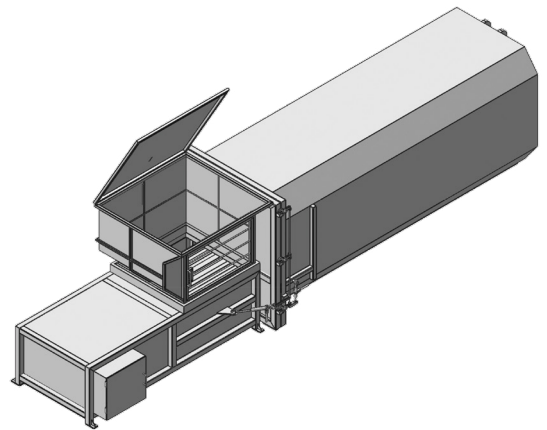
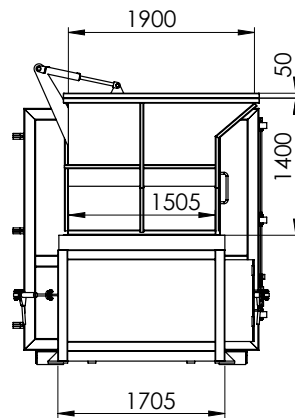
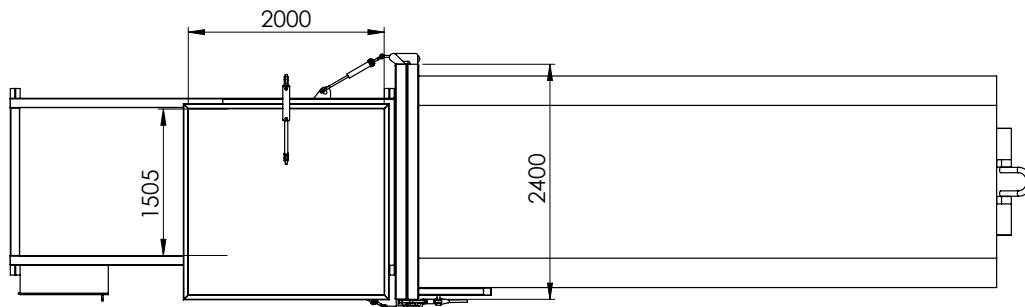
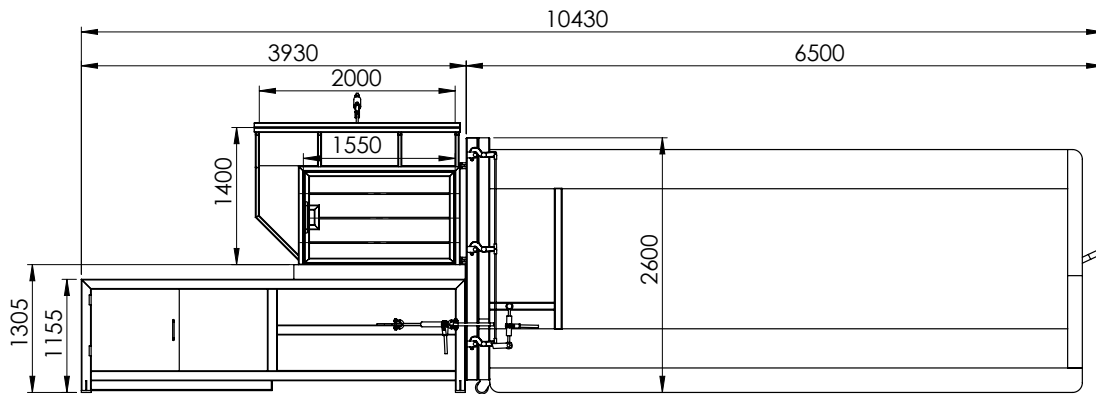
- High compaction force optimising transport payloads
- Suitable for a range of waste material
- Easy & safe to operate
- Robust design & build - engineered for long life and optimum performance
- Hour meter, full signal & 80% full signal included
- Built in power pack for security and safety of personnel
- Bin-away switch

### Optional Extras

- Custom feed hopper
- Wall chutes
- Infeed conveyor
- Material pre-shredder
- Bin tipper for in-feed



Dimensions and technical information without obligation. Subject to change.



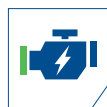
Size Comparison



**Compaction Ratio**  
Up to 6:1



**Pressing Force**  
Up to 26 Ton  
(optional 38T)



**Motor**  
5.5kW  
(optional 11-18kW)



**Waste Types**  
General Waste,  
Cardboard, Bulk  
Bags, Commingled

